

*PlumChef*  
Electrical Appliance Co., Limited

# TOASTER: KRT-6031B USER MANUAL

Household Use Only Please Read The Manual Carefully Before Use



*PlumChef*  
Your Culinary Partner.



# Contents

IMPORTANT SAFEGUARDS.....	01
WARNING .....	02
FEATURES AND BENEFITS.....	03
USE AND CARE .....	04
TROUBLE-SHOOTING.....	09
CLEANING AND MAINTENANCE .....	10

THANK YOU FOR PURCHASING OUR PRODUCTS !

*If you have any issues with our products, please feel free to contact the seller or E-mail:  | [dowylikinfo@gmail.com](mailto:dowylikinfo@gmail.com)*



For your safety and continued enjoyment of this product, always read the instruction manual carefully before using.

## Electrical parameter

Rated Power: AC 120V 60Hz 1500W

## IMPORTANT SAFEGUARDS

When using an electrical appliance, basic safety precautions should always be followed, including the following:

- 1. Read all instructions.**
- 2. Always unplug from outlet when the appliance is not in use, before putting on or taking out parts and before cleaning. Allow to cool before cleaning or handling.**
3. Do not touch hot surfaces, use handles or knobs.
4. To protect against electrical shock, do not place any part of the toaster in water or other liquids. See instructions for cleaning.
5. This appliance should not be used by or near children, or individuals with certain disabilities.
6. Do not operate any appliance with a damaged cord or plug, or after the appliance has malfunctioned or has been dropped or damaged in any way, or if it is not operating properly. Return appliance to the nearest authorized service facility for examination, repair, or electrical or mechanical adjustment.
7. The use of accessory attachments not recommended by the manufacturer may cause injury.
8. Do not use outdoors.
9. Do not let cord hang over the edge of the table or countertop or touch hot surfaces.
10. Do not place toaster on or near a hot gas or electric burner or in a heated oven.

11. Do not use this toaster for other than intended use.
12. Oversize foods, metal foil packages or utensils must not be inserted in the toaster, as they may involve a risk of fire or electric shock.
13. A fire may occur if the toaster is covered or touching flammable materials, such as curtains, draperies or walls and the like when in operation, Do not operate under wall cabinets.
14. Do not attempt to dislodge food when the toaster is plugged into electrical outlet.
15. To void possibility of fire, do not leave toaster unattended during use.
16. To disconnect, push the Stop button, then remove plug from wall outlet.
17. Do not operate your appliance in an appliance garage or under a wall cabinet. When storing in an appliance garage, always unplug the unit from the electrical outlet. Not doing so could create a risk of fire, especially if the appliance touches the walls of the garage or the door touches the unit as it closes.

## **WARNING:**

1. This appliance can be used by children aged from 8 years and above and persons with reduced physical, sensory or mental capabilities or lack of experience and knowledge if they have been given supervision or instruction concerning use of the appliance in a safe way and understand the hazards involved. Children shall not play the appliance. Cleaning and user maintenance shall not be made by children unless they are older than 8 and supervised. Keep the appliance and its cord out of reach of children less than 8 years.

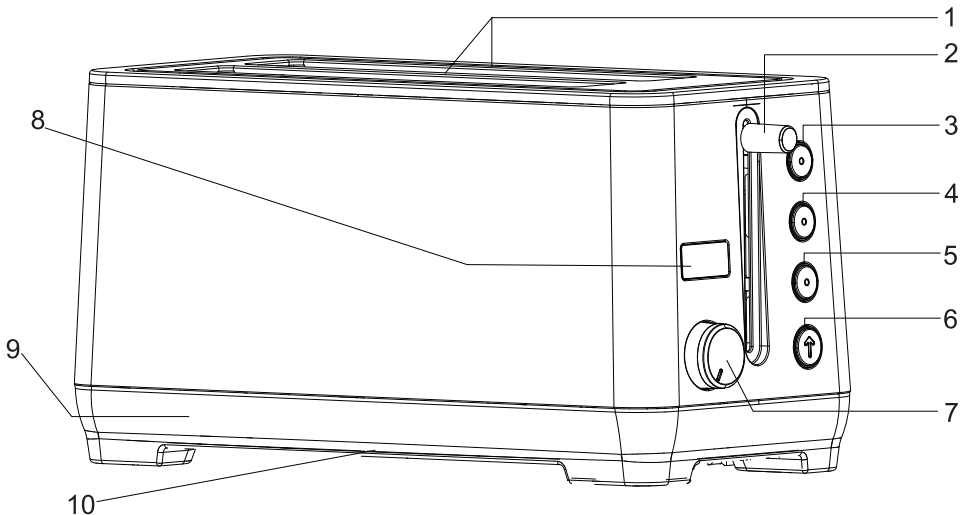
2.If the supply cord is damaged, it must be replaced by the manufacturer, its service agent or similarly qualified persons in order to avoid a hazard.

3.The bread may burn, therefore do not use the toaster near or below combustible material, such as curtains.

4.This appliance is intended to be used in household and similar applications such as:

- staff kitchen areas in shops, offices and other working environments;
- farm houses;
- by clients in hotels, motels and other residential type environments;
- bed and breakfast type environments.

## SAVE THESE INSTRUCTIONS FOR HOUSEHOLD USE ONLY FEATURES AND BENEFITS



## 1.Slot size: 10.3(L)x1.5(W)x5.1(D) inch

Wide and deep slot toast a wide variety of items.

## 2.High-lift Carriage control lever

## 3.Bagel button

The working duration is the same as toasting cycle. LED lights when selected.

## 4.Reheat button

Reheats without browning or toasting.

## 5.Defrost button

Adds extra time to the cycle for toasting frozen bread.

## 6.Stop button

Interrupts toasting process.

## 7.Browning control knob

Sets selected shade. Six browning levels toast from light to dark. The LED display shows cycle level first and 5 seconds later the countdown starts.

## 8.LED timer display

## 9.Removable crumb tray (not shown)

Pulls out to clean crumbs that collect in bottom of toaster.

## 10.Cord storage (not shown)

Takes up excess cord and keeps countertop neat.

## USE AND CARE

Unwind the power cord. Check that the crumb tray is in place and that there is nothing in the toaster slots. Plug power cord into the wall outlet.

1.Insert slice(s) of bread

2.Set the browning control

Turn the knob to select desired toast shade:

Browning control setting	Shade
1-2	Light
2-4	Medium
4-6	Dark

Time corresponding to each level and function :

Level	Normal heating time (S)	BAGEL time (S)	REHEAT time (S)	DEFROST time (S)
1	120	116	33	128
2	140	136	33	149
3	160	156	33	172
4	180	175	33	194
5	200	195	33	216
6	220	216	33	238

Note: The above time is the usage time of each function when the product is not preheated.

## Some notes on browning

Toasting is a combination of cooking and drying the bread. Therefore, to achieve the same shade, the bread different in moisture level needs varying toasting time.

- For slightly dry bread, use a lower setting than you normally would.
- For very fresh bread or whole wheat bread, use a higher setting than normal.
- Breads with very uneven surfaces (such as English muffins) will require a higher toast setting.

- Thickly cut pieces of bread (including bagels or baguettes and English muffins) will take longer to toast, sometimes significantly longer, since more moisture must be evaporated from the bread before toasting can occur. Very thick pieces may require two cycles.

- When toasting raisin or other fruit breads, remove any loose raisins, etc. from the surface of the bread before putting into the toaster. This will help prevent fruit pieces from falling into the toaster or sticking to the guide wires in the slot.

### Single slice toasting

If you are toasting a single slice of bread, set the browning knob to a lighter setting than you normally would. The toaster is designed to heat the whole toasting chamber for two slices. By lowering the heat for a single slice, you won't over toast.

### Frozen waffles, pancakes, French toast and frozen bagels

These breads and pastries should be warmed using the Defrost button.

### Toaster pastries

Exercise caution with toaster pastries; the filling can become quite hot, long before the surface of the pastry becomes browned. Never leave toaster pastries unattended while toasting or warming.

## 3.To begin toasting

Press the carriage lever until it locks into the down position.

## 4.To stop toasting

When the toasting cycle is finished, the toast will be raised. If you wish to stop the cycle before it is finished, simply press the Stop button.

## Tips

- Never force foods into the toasting slot. Foods should fit freely between the guide wires.
- Do not place buttered breads or pastries with fillings or frostings in the toaster, as this could create a fire hazard.
- After use, unplug your toaster from the electrical outlet.



## Defrost Button

The Defrost button is designed to first defrost and then toast the bread, which extends the toasting cycle slightly.

### 1. Insert slice(s) of bread

Be sure that multiple slices do not overlap and the carriage is in the up position.

### 2. Set the browning knob

#### Settings 1-2

For refrigerated breads and thinner frozen items such as frozen pancakes.

#### Settings 3-4

For toaster pastries, frozen waffles and (thin) French toast, and refrigerated bagels.

#### Settings 5-6

For thicker frozen items such as bagels, hand-cut bread and thick French toast.

### 3. To begin toasting

Press the carriage lever until it locks into the down position. The LED display and the stop indicator lights up simultaneously.

### 4. Press the Defrost button, the defrost function is on

The defrost indicator lights up.

### To stop cycle

When the defrost cycle is complete, the toaster will raise the bread. If you wish to stop the cycle before it is finished, simply press the Stop button to interrupt. After use, unplug the toaster from the electrical outlet.

## Reheat Button

The reheat feature allows you to reheat bread without browning or toasting.

### 1. Insert slice(s) of bread

Be sure that multiple slices do not overlap and the carriage is in the up position.

### 2. To begin reheating

Press the carriage lever until it locks into the down position.

### 3. Press the Reheat button

The reheat indicator lights up.

### To stop cycle

When the reheat cycle is completed, the toaster will raise the bread. If you wish to stop the cycle before it is finished, simply press the Stop button to interrupt.

## Bagel Button

The bagel working duration is designed to be the same as toasting cycle. When you select it to toast thicker breads, baguettes, English muffins or other thick breads, a higher toast setting maybe needed. **In this mode the heating elements in middle sides will not be heated, but the outer sides.**

## 1.Insert slice(s) of halved bagels/baguettes

Be sure that multiple slices do not overlap and the carriage is in the up position.

## 2.Press the carriage control lever until it locks into position

## 3.Press the Bagel button to start. LED indicates feature is activated

### To stop cycle

When bagel cycle is completed, the toaster will raise the bread.

If you wish to stop the cycle before it is finished, simply press the Stop button to interrupt.

## TROUBLE-SHOOTING

**The handle can't be pressed down and locked.**

1. Check whether the power plug is energized.
2. Check whether the handle is fully pressed.

**CANCEL light is off, but the bread does not pop up.**

1. Unplug the power plug first, and wait for the body to cool down
2. Check if the notch is stuck by food or the food exceeds the capacity.

**Odor and smoke appear.**

- 1.Pull out the plug immediately, wait for the product to cool down, and check whether the slot is stuck by the food or the food exceeds the size.
2. The product has worked for too long. Wait for 15 minutes before working again.

# CLEANING AND MAINTENANCE

Always allow the toaster to cool completely before cleaning.

1. Always unplug the toaster from the electrical outlet before cleaning.
2. Do not use abrasive cleaners. Simply wipe the exterior with a clean damp cloth and dry thoroughly. Apply any cleansing agent to a cloth, not to the toaster, before cleaning.
3. To remove crumbs, slide out the crumb tray and discard crumbs. Wipe clean the replace. Never operate the toaster without the crumb tray in place.
4. To remove any pieces of bread remaining in the toaster, turn the toaster upside down and gently shake. Never insert any hard or sharp instruments into the slot, as this could damage the toaster and cause a safety hazard.
5. Never wrap the cord around the outside of the toaster. Use the cord storage cleats on the underside of the toaster.
6. Any other servicing should be performed by an authorized service representative.



## THANK YOU FOR PURCHASING OUR PRODUCTS !

Your satisfaction and support mean everything to us.

To offer you the best shopping experience, we provide a **12-month warranty** for our products.

If you have any issues with our products, please feel free to contact the seller or E-mail:  | **dowylikinfo@gmail.com**

our customer support team are at your service 7 days/ 24 hours and will try our best to solve your problem.

We also look forward to receiving any advice from you about our products or service and we will make efforts to make them better.



*PlumChef*

**Plum-tastic**  
**Start With PlumChef.**

*Your Culinary Partner.*